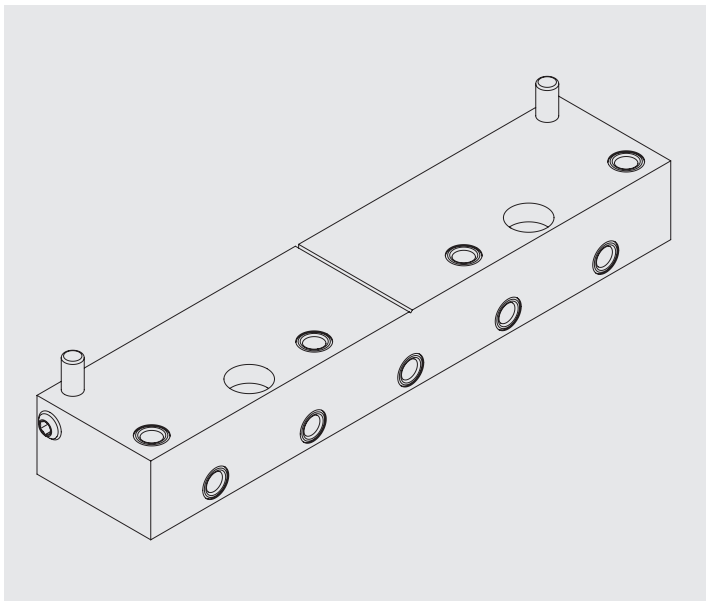
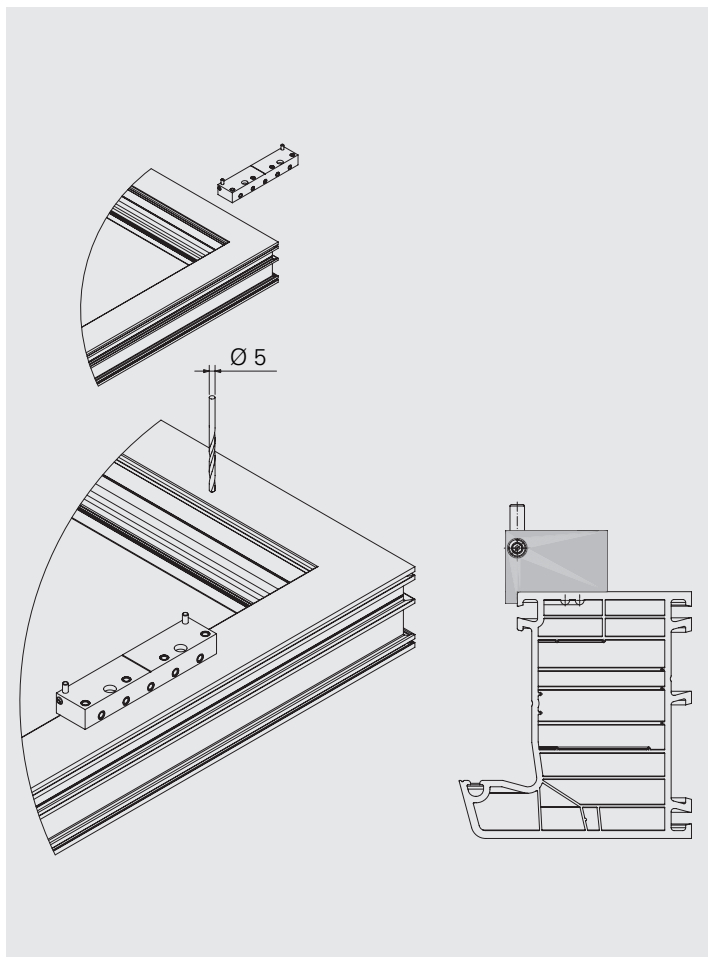


Istruzioni uso dima Dynamic 3D-G

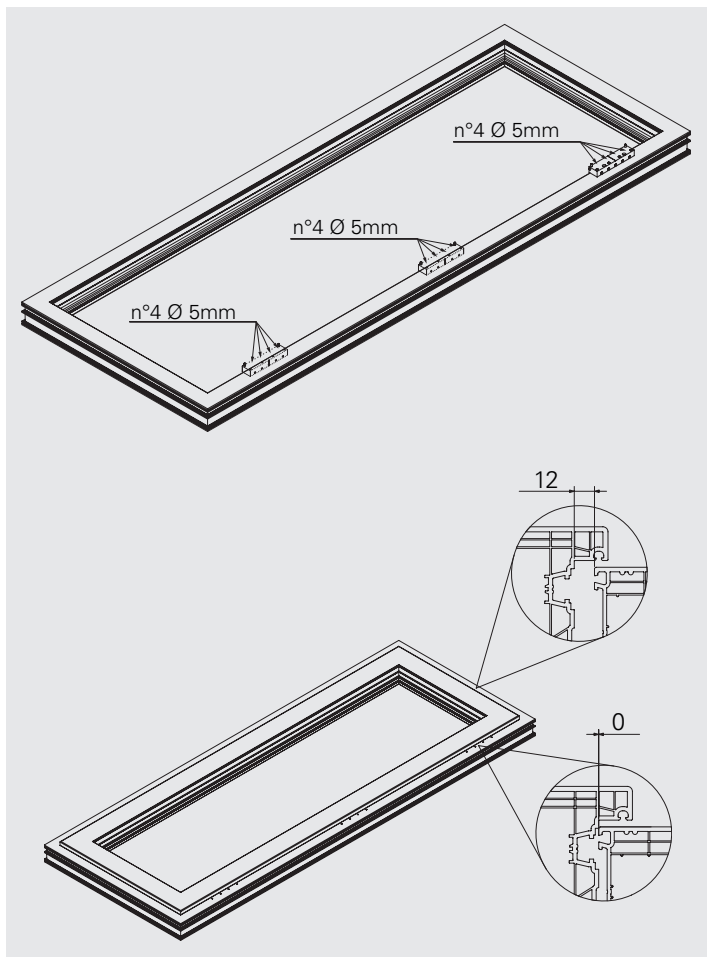
Gebrauchsanweisung Bohrlehre Dynamic 3D-G
Jig Dynamic 3D-G operational instruction



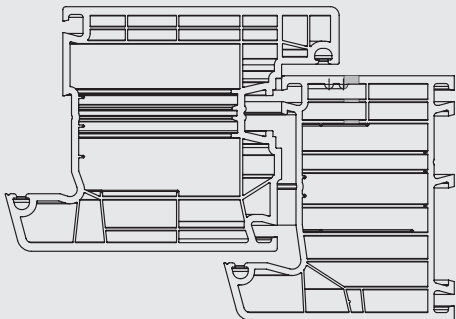
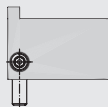
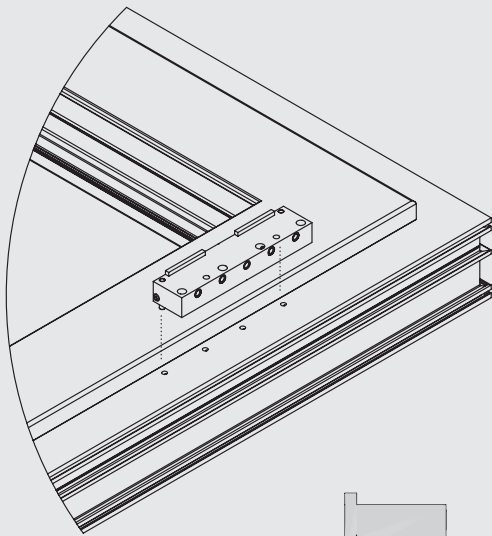
1



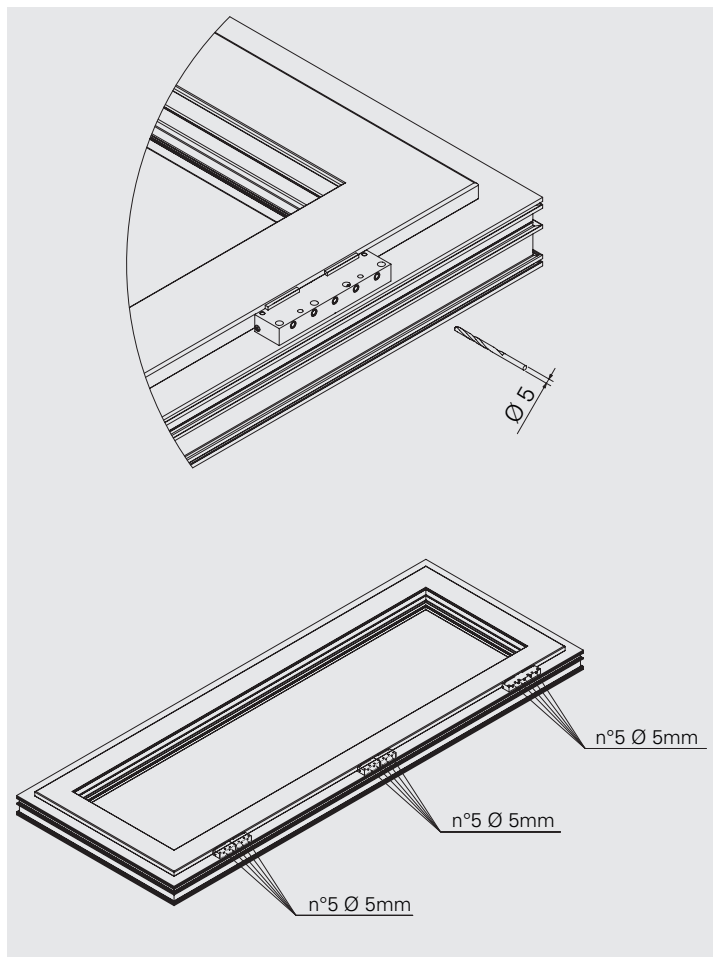
2



3



4



SFS intec S.r.l.
Construction
Via Castelfranco Veneto, 71
IT-33170 Pordenone

it.info@sfsintec.biz
www.sfsintec.it