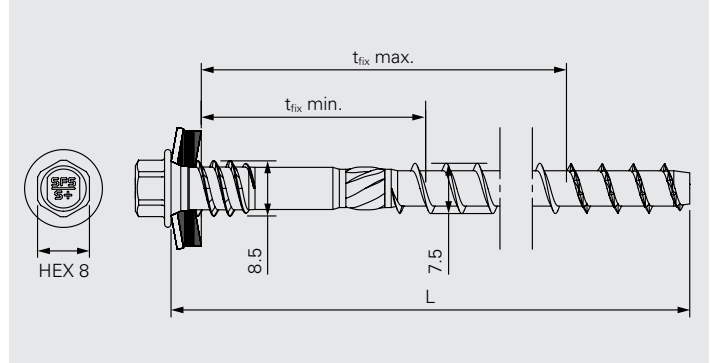
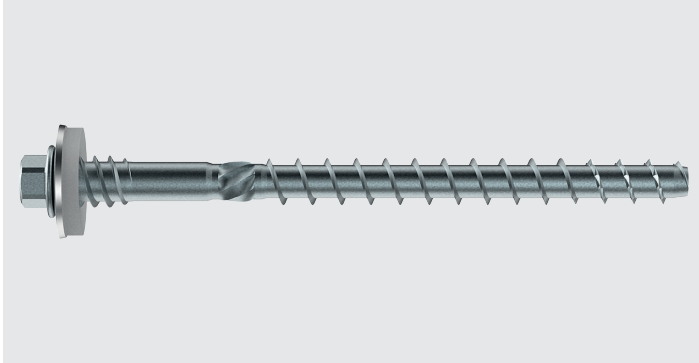


MXC-7.5



Application

Fastening of sandwich panels onto concrete
Painted head available up to 250mm

Fastener Ø

Fastener Ø	7.50		
Pre-drill Ø	6.0		
Embedment depth	65.0		

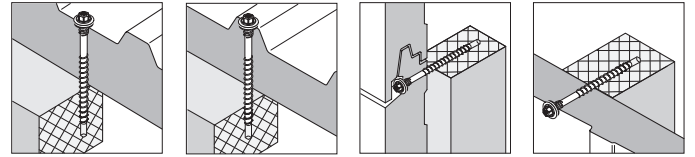
Fastener material

Austenitic stainless steel A4
Sealing washer: Austenitic stainless steel A4, EPDM-seal

Approvals

Features and Benefits

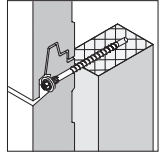
- Self tapping fastener suitable for installation of sandwich panels
- High quality EPDM sealing washer for long-term weather sealing
- Perfect supporting of the sandwich panel outer-skin given by support thread with cut-off thread-end
- Optimized support function achieved by engineered double support thread
- High bending capacity for absorption of thermal expansion of the sandwich panel outer-skin
- Easy insertion and high load capacities given by the ideal core-/thread geometry
- Reduced abrasion achieved by toothed functional tip



Fastener in A4 onto concrete

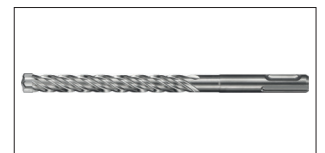
Product code	PU	L	t _{fix}	S16	S19
MXC-S19-7,5×95	100	95	18–45	1596755	1596762
MXC-S19-7,5×115	100	115	35–65	1596786	1596788
MXC-S19-7,5×135	100	135	55–85	1596802	1596806
MXC-S19-7,5×155	100	155	75–105	1596812	1596813
MXC-S19-7,5×175	100	175	95–125	1596862	1596866
MXC-S19-7,5×195	100	195	115–145	1596947	1596953
MXC-S19-7,5×215	100	215	135–165	1597023	1597024
MXC-S19-7,5×235	100	235	155–185	1597028	1598660
MXC-S19-7,5×255	100	255	175–205	1598678	1598686
MXC-S19-7,5×275	100	275	195–225	1598722	1598726
MXC-S19-7,5×295	100	295	215–245	1598733	1598735
MXC-S19-7,5×315	100	315	235–265	1598798	1598813
MXC-S19-7,5×335	100	335	255–285	1598917	1598932
MXC-S19-7,5×355	100	355	275–305	1598993	1599213
MXC-S19-7,5×375	100	375	295–325	1599216	1599217

Without approval



Fastener in A4 onto concrete

Product code	PU	L	t _{fix}	No washer
MXC-7,5×95	100	95	23–50	1596782
MXC-7,5×115	100	115	40–70	1596801
MXC-7,5×135	100	135	60–90	1596811
MXC-7,5×155	100	155	80–110	1596820
MXC-7,5×175	100	175	100–130	1596891
MXC-7,5×215	100	215	140–170	1597026
MXC-7,5×235	100	235	160–190	1598675
MXC-7,5×255	100	255	180–210	1598720
MXC-7,5×275	100	275	200–230	1598728
MXC-7,5×295	100	295	220–250	1598795
MXC-7,5×315	100	315	240–270	1598816
MXC-7,5×335	100	335	260–290	1598972
MXC-7,5×355	100	355	280–310	1599215
MXC-7,5×375	100	375	300–330	1599219



Accessories/Ancillaries

Product code	PU	D	L	WL	FL	
SDS-6×210/150-4C	1	6	210	150	150	1487583