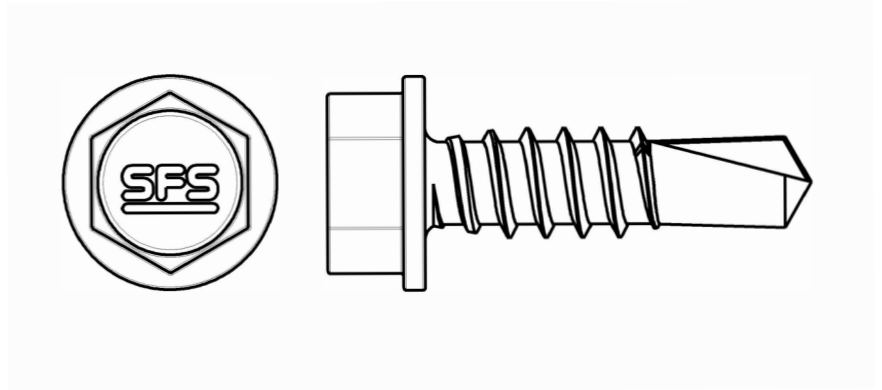


head style guide

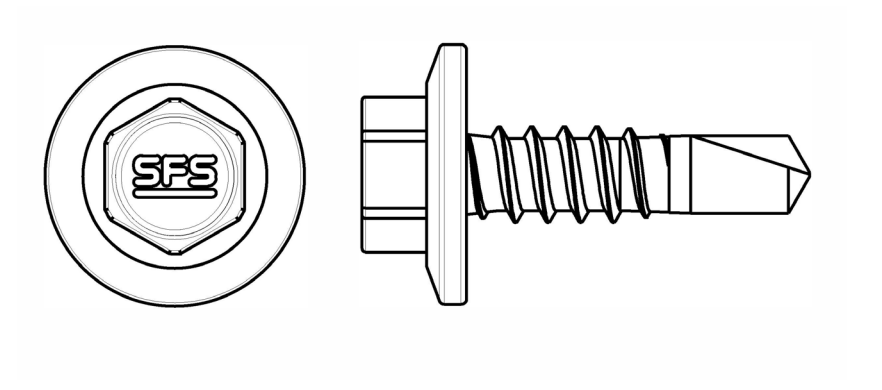
HWH (Hex Washer Head)

- Standard drive style for most self drilling and woodGrip parts.
- Material is typically the same throughout the entire fastener.



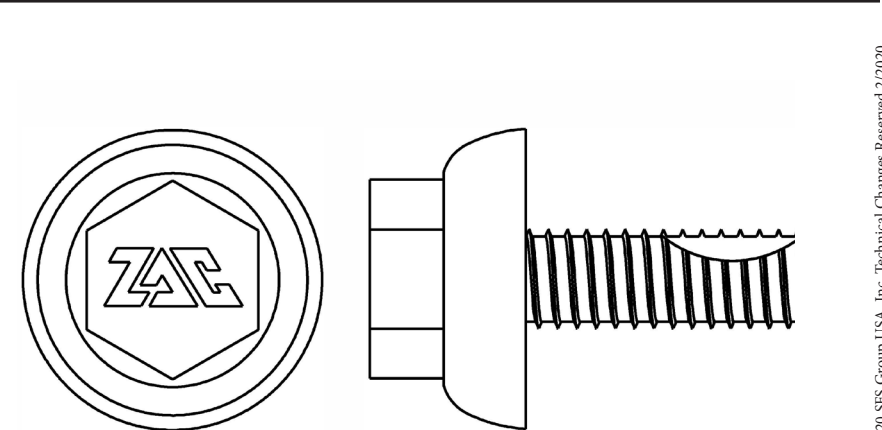
Sealer Cupped HWH

- Standard drive style with integrated cupped washer.
- Integrated cupped head prevents overdriving and provides strong weather tight seal.



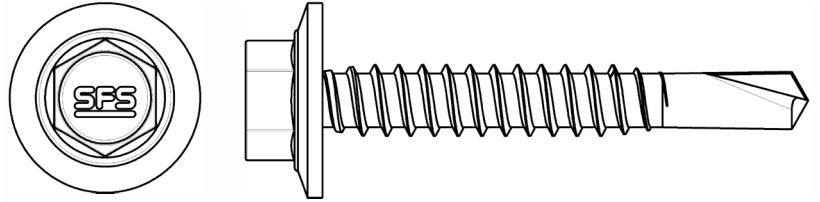
ZAC® HWH

- Standard drive style with an integrated Zinc-Aluminum Alloy cupped head.
- Zinc-Aluminum alloy prevents damage from corrosive conditions.
- Integrated cupped head prevents overdriving and provides strong weather tight seal.



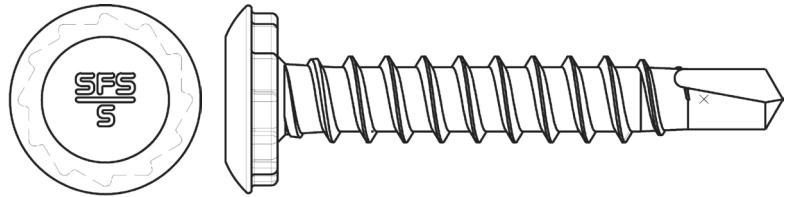
MAC™ HWH

- Standard drive style with an integrated stainless steel cupped head.
- Stainless steel cap prevents damage from corrosive conditions.
- Integrated cupped head prevents overdriving and provides strong weather tight seal.



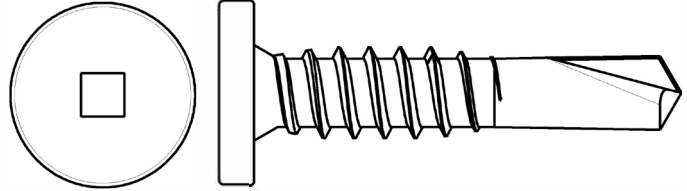
irius® Drive

- Proprietary low profile head style improves aesthetic appearance.
- Tamper resistant due to specialized E420 Socket required for installation.



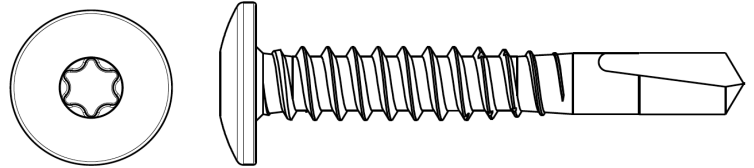
Pancake Head

- Low profile head style improves aesthetic appearance.
- Available with standard drive types for ease of installation.



T-Drive

- Low profile head style improves aesthetic appearance.
- Provides a higher and more consistent torque level to ensure proper installation.



Wafer Head

- Low profile head style provides least intrusive aesthetic appearance.
- Available with standard drive types for ease of installation.

