



# isofast<sup>®</sup> Square Stress Plate PLT-S-2-3/4-BL



### Application

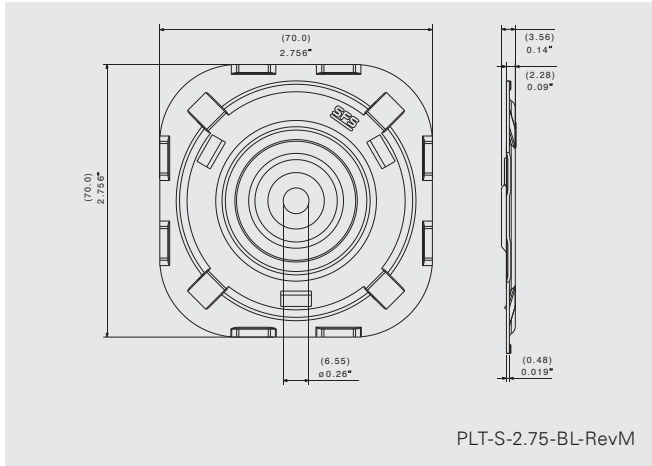
Insulation attachment using #12 belted fasteners and installed with isofast<sup>®</sup> tool

### Features and Benefits

- Flat bottom provides for use on rigid board surfaces
- Stacked on spindles for ease of loading into isofast<sup>®</sup> tool
- 26 ga. Galvalume<sup>®</sup> steel

### Product Selection

Material No.	Item	Description	Carton Wt. (lbs.)	Carton Qty.
735650	isofast <sup>®</sup> 2-3/4" Square insulation plate	PLT-S-2-3/4-BL	41	750



### Specifications

OD: 2-3/4" (70 mm) square  
 Thickness: 0.019" (0.48 mm)  
 Finish: AZ50 Galvalume<sup>®</sup>

### Approvals



State of Florida: FL20311

16-0712.08

### Installation and Application Considerations

Use in applications approved by the roofing system manufacturer. Install with isofast<sup>®</sup> tool and #12 belted fasteners.

Metric values are approximate conversions.

Galvalume<sup>®</sup> is a registered trademark of BIEC International, Inc.

The details stated are results of tests and/or calculations and therefore are non-binding and do not represent guaranties or warranted characteristics for not specified applications. All calculations therefore have to be checked and approved by the responsible planner ahead of execution. The user is responsible to assure compliance with all applicable laws and regulations.

US  
 T 800 234 4533  
 www.sfsintecusa.com

Canada  
 T 866 847 5400  
 www.sfsintec.ca