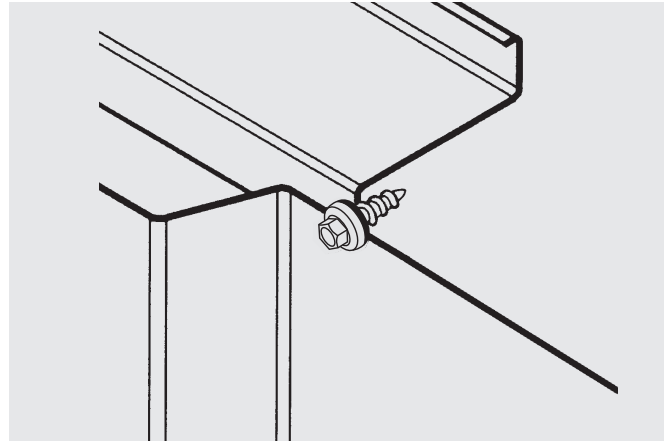


#17 ZAC[®] Type AB Self-tapping Metal to Metal Fastener



Features and Benefits

- Zinc alloy cap head that will never red rust
- Assembled EPDM sealing washer for a consistent weather tight seal
- Long life fastener limited warranty

Application

Strip out repair of metal panel to light and medium gauge metal applications

Product Selection

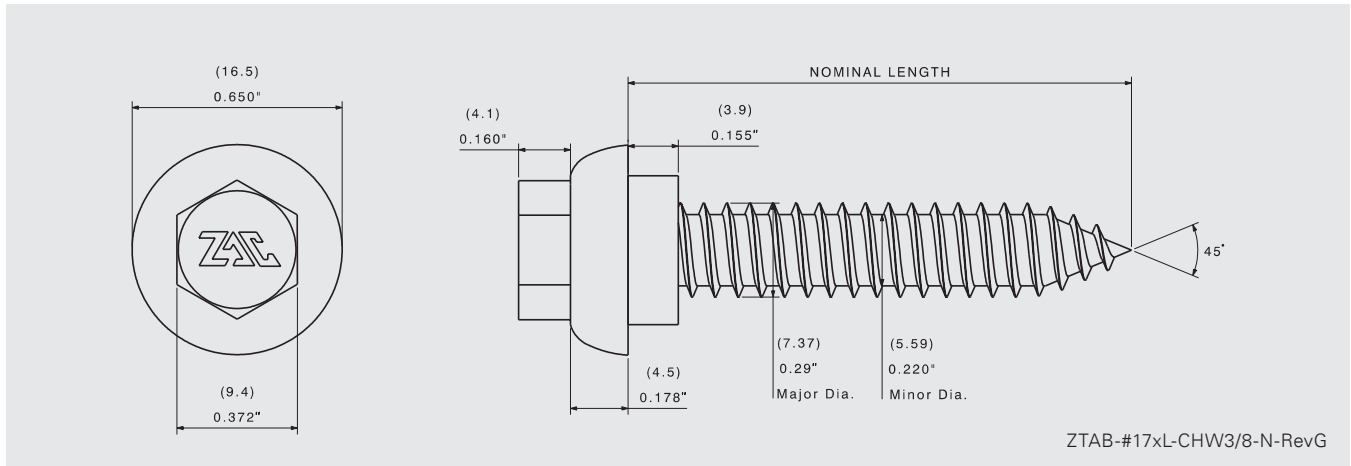
Material No.	Fastener Length	Thread* Length	Description	Carton Wt. (lbs.)	Carton Qty.
784892	1"	Full	ZTAB-#17x1-CHW3/8-N	38	1,500
784946	1-1/2"	Full	ZTAB-#17x1-1/2-CHW3/8-N	30	1,000

Plain product bagged 250 pieces, unless otherwise noted.

*Note – Thread length measured from tip of point to top of the threads.



#17 ZAC[®] Type AB Self-tapping Metal to Metal Fastener



Product Specifications

Diameter: #17 (7.37 mm)
 Threads Per Inch: 14
 Head Style: 3/8" dia. Zinc aluminum capped
 HWH AF (9.4 mm)

Washer: EPDM sealing washer
 Drill Point: Type AB
 Attachment Thickness: 0.036"–0.060" (0.91 mm–1.52 mm)
 Thread Major Dia: 0.290" (7.37 mm)
 Thread Minor Dia: 0.220" (5.59 mm)

Performance Data^{1,2}

Material Strength

Tensile	5136 lbf / 22846 N
Shear	4830 lbf / 21485 N
Torsional	220 lbf-in / 24.86 N-m

Pull Out Strength Steel

14 Ga (1.9 mm)	986 lbf / 4386 N
12 Ga (2.7 mm)	1668 lbf / 7420 N

Pull Over Strength Steel

26 Ga (0.5 mm):	599 lbf / 2664 N
------------------------	------------------

¹ Pull out values are tested/interpolated based on 50,000 psi hot rolled steel sheet material.

² SFS 4516.09

Installation and Application Considerations

Tools: 0–1000 rpm screw gun equipped with depth sensing nose piece.

Fastener length should provide for a minimum of 3/16" penetration of fully developed threads into metal substrate.

Use of impact guns or hammer drills is not recommended.

Metric values are approximate conversions.

The details stated are results of tests and/or calculations and therefore are non-binding and do not represent guaranties or warranted characteristics for not specified applications. All calculations therefore have to be checked and approved by the responsible planner ahead of execution. The user is responsible to assure compliance with all applicable laws and regulations.

US
 T 800 234 4533
 www.sfsintecusa.com

Canada
 T 866 847 5400
 www.sfsintec.ca