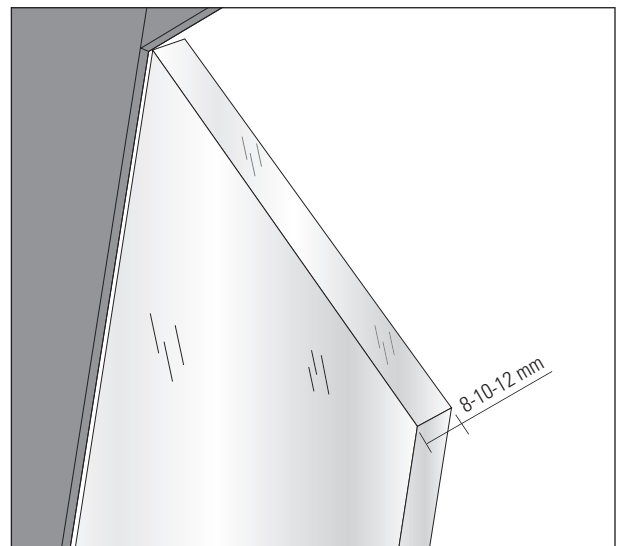


Just 3D, the 3 dimensions adjustable hinge can be applied to steel, solid timber and cover frames.



From now on it can be applied on glass doors **8/10/12 mm thick.**

For further informations do not hesitate to contact us.