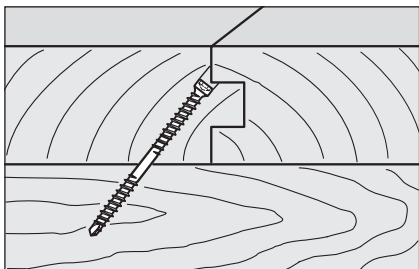
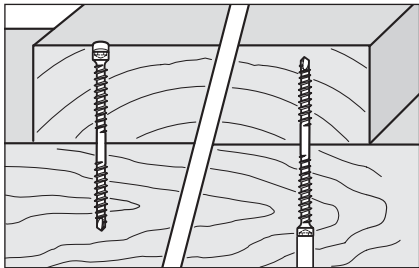
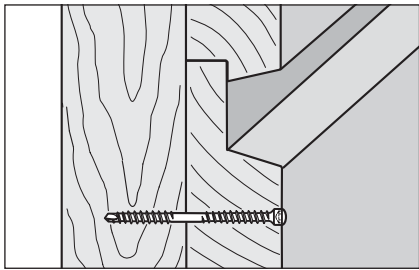


**Mini-WT**

**The perfect fastening solution for aesthetic and durable timber cladding, terraces and decking.**





## The advantages of the WT system at a glance

Smaller-diameter WT fasteners (4.5, 5.0 and 6.5 mm) offer considerable advantages for attaching timber battens, cladding and decking:

- aesthetic solutions are possible since the fastening points are hardly visible
- reduced tendency to split due to the small fastener head
- small, readily countersunk head provides protection against water penetration
- minimal discoloration of the timber due to Durocoat anti-corrosion protection/A2
- stable joint, even when the timber swells and shrinks, due to the double thread
- high tensile and compressive pull-over resistance
- fasteners can be inserted flush, countersunk or at an angle
- neat countersinking also possible with larch timber
- stainless steel version (S) for use in treated timber or corrosive environments

## Scope of application

Type	WT-S-5,0 x L		WT-T-4,5 x L		WT-T-6,5 x L		
Ø x L (mm)	5,0 x 45	5,0 x 60	4,5 x 40	4,5 x 60	6,5 x 65	6,5 x 90	6,5 x 130
Timber thicknesses when inserted flush (mm)	15 – 22	19 – 30	15 – 20	19 – 30	25 – 35	40 – 50	40 – 90
Timber thicknesses when countersunk flush (mm)	≤ 25	≤ 35	≤ 25	≤ 35	≤ 40	≤ 55	≤ 100

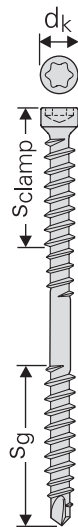
- can be used with various species of timber and timber materials
- also suitable for locations exposed to the weather, due to outstanding Durocoat anti-corrosion protection, respectively stainless steel A2

### Fastener range

Material: T = Carbon steel with Durocoat surface

**S** = stainless steel A2

Packaging: loose or belted (=M)



### Fastener range (extract)

Type	Material T / S	belted	Ø d <sub>1</sub> (mm)	Length (mm)	S <sub>g</sub> (mm)	S <sub>clamp</sub> (mm)	d <sub>k</sub> (mm)
WT - S	-	-	5,0	x 45	23	17	7,0
WT - S	-	-	5,0	x 60	23	17	7,0
WT - S	M	-	5,0	x 45	23	17	7,0
WT - S	M	-	5,0	x 60	23	17	7,0
WT - T	-	-	4,5	x 40	20	15	6,5
WT - T	-	-	4,5	x 60	23	17	6,5
WT - T	- M	-	4,5	x 40	20	15	6,5
WT - T	- M	-	4,5	x 60	23	17	6,5
WT - T	-	-	6,5	x 65	28	28	8,0
WT - T	-	-	6,5	x 90	40	40	8,0
WT - T	-	-	6,5	x 130	40	40	8,0

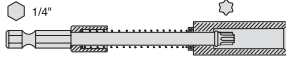

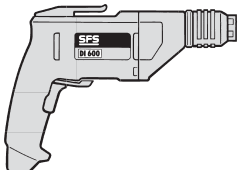
### Installation aids:

Loose or belted fasteners are suitable depending on the application. Appropriate setting tools enable neat and efficient insertion.

### More information

If you have any questions about fastening technology, we'll be pleased to advise you.

### Setting tools and accessories

Adapter WT-T-4,5 x L and WT-S-5,0 x L WT-T-6,5 x L 	Depth stop <b>Z661 WT</b> to fit DI 600 
Power driver <b>DI 600</b> 	Driver type belts <b>Holz Her 3338 *</b> for: WT-T-M-4,5 x L WT-S-M-5,0 x L (*not included in range) 